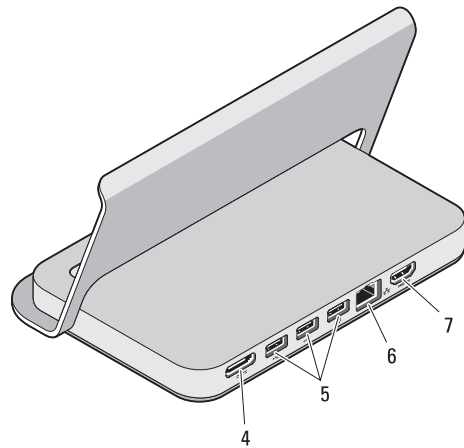
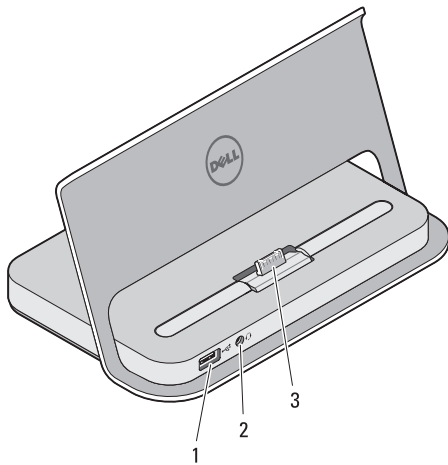




### Views | Tampilan



- |   |                           |   |                                    |
|---|---------------------------|---|------------------------------------|
| 1 | USB 2.0 connector         | 1 | konektor USB 2.0                   |
| 2 | audio connector           | 2 | konektor audio                     |
| 3 | docking station connector | 3 | konektor stasiun docking connector |
| 4 | AC adapter connector      | 4 | konektor Adaptor AC                |
| 5 | USB 2.0 connectors (3)    | 5 | konektor USB 2.0 (3)               |
| 6 | network connector         | 6 | konektor jaringan                  |
| 7 | HDMI connector            | 7 | konektor HDMI                      |

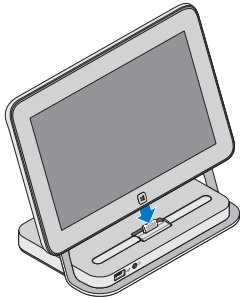
Regulatory Model   Model Pengatur	K06M
Regulatory Type   Tipe Pengatur	K06M001

# 1

## Dock Your Tablet Simpan Tablet pada Dok

Align the tablet with the docking station connector and press down until it snaps into place.

Sejajarkan tablet pada konektor stasiun doking dan tekan hingga masuk pada tempatnya.



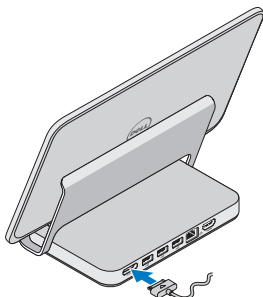
- NOTE:** The USB and audio ports of the tablet is disabled once the system is docked.
- CATATAN:** Port USB dan audio tablet dinonaktifkan setelah sistem dimasukkan dalam dok.

# 2

## Connect the AC adapter Sambungkan adaptor AC

Connect the AC adapter to the AC adapter connector on the docking station and to the electrical outlet.

Sambungkan adaptor AC ke konektor adaptor AC pada stasiun doking ke stopkontak listrik.



## Specifications

Power	
AC Adapter	30 W
Input Current	1.54 A/1.58 A
Input Voltage	19.50 V DC/ 19.0 V DC

## Spesifikasi

Daya	
Adaptor AC	30 W
Arus Input	1.54 A/1.58 A
Tegangan Input	19.50 V DC/ 19.0 V DC

Printed in Malaysia.

Dicetak di Malaysia.

© 2012 Dell Inc.



OVG7WRA01

2012 - 10